



CITY OF
FOLSOM
DISTINCTIVE BY NATURE

CITY OF FOLSOM SUBMITTAL REQUIREMENTS FOR INSTALLATION OF A COMMERCIAL REFUSE OR CARDBOARD COMPACTOR FOR AN EXISTING BUILDING

Before installation of a commercial refuse or cardboard compactor in or near an existing building, a Building Permit application, construction documents and specifications shall be submitted to the Permit Counter at the Community Development Department for plan approval. The submittal documents are reviewed by the Planning Division, the Building Division, the Solid Waste Division, and the City of Folsom Fire Department.

To begin the process, please contact the City's Planning Division at the Community Development Department's Permit Counter for a preliminary review to determine if screening is required. The phone number is (916) 355-7222 and email address is Planningcounter@folsom.ca.us. The Permit Counter is located upstairs at Folsom City Hall, 50 Natoma Street, Folsom, CA 95630. A site plan, photographs of the effected building elevations and a "panoramic" view from the proposed compactor location are required to perform a preliminary review to determine if screening is required.

Once screening requirements are determined, construction documents shall be submitted to the Permit Counter along with a completed Building Permit application. There will also be a plan check fee at the time of your submittal and you must include three copies of your submittal documents which include the following:

- **Site plan** – The site plan shall be drawn to scale and shall show all site features include the property lines, existing uses of adjacent properties, the footprint of all buildings, the existing parking lot layout with drive aisles, fire access lanes, accessible pathways to the compactor and the location of the proposed compactor with dimensions to other buildings and property lines. The site plan shall include any modifications to the parking layout, landscaping, building access and similar conditions required to accommodate the proposed compactor.
- **Building Plan** – The building plan shall show the floor plan of the building in the region of the proposed compactor and any portion that will affect the egress and access in and out of the building. This should include hallways, doors, windows, storage, equipment and similar attributes.

- **Building Elevations** – Include the building elevations effected by the proposed compactor. The Planning Division may require screening for the compactor that would include a drawing and a description of the materials, colors and dimensions.
- **Structural Drawings** – When supports for the equipment are necessary, structural drawings are required for a system. This shall illustrate how it attaches to the structure and shall also include foundations, attachment details and modifications to the structure to allow attachment.
- **Mechanical, Electrical, and Plumbing Plans** – M, E, P drawings shall be provided for all proposed modifications to the existing building and supply to the compactor.
- **Compactor Specifications** - Length and width of compactor, product listings, power requirements, weights, and necessary information to complete the design and construction, and all other requirements as specified below for the Solid Waste Division.

The Following are submittal requirements mandated by the City’s Fire Department:

- Protection of the trash compactor opening inside the building with a fire sprinkler head and heat collector (if the building is protected by a fire sprinkler system). The building Permit plan shall note that a separate fire sprinkler permit is required for this work on the fire sprinkler system.
- A Fire Sprinkler Permit can be obtained over-the-counter (by appointment) by the fire sprinkler contractor at the Permit Counter in City Hall.

The Following are submittal requirements mandated by the City’s Solid Waste Division:

- There must be at least Six Hundred and Fifty (650) square feet of open space at the frontal access of the compactor to maintain the turning radius for the solid waste vehicles
- There shall be no utility lines, fixed objects or other parts of the building extending within twenty feet directly above the compactor
- There must be at least two feet of clearance space between the outside edges of the compactor and any buildings and retaining/screening walls or other fixed objects.
- There must be a six inch concrete steel reinforced pad that can withstand 3,000 pounds per square inch of pressure (psi). The pad must be at least forty feet in length and up to twelve feet wide.
- All channel guides and compactor specifications must match City of Folsom roll-off truck specifications (see below).
- For installation of a cardboard compactor and NOT using the City of Folsom Solid Waste Division as the intended hauler, you must provide documentation showing that you have a revenue sharing program with the store in order to meet the city’s waste hauler franchise requirements. Once this submittal is provided and authorized, you can choose an equipment and rail guide configuration that meets the needs of your intended hauler as long as it meets all other submittal requirements. Any refuse (garbage) compactors must

abide by the city's waste hauler franchise requirements and use the city's Solid Waste Division as its intended hauler.

Main Rail and hook-up information for City of Folsom Roll-off truck

- Main rails are 5" I-beam material, cut flush front and rear.
- They are set at 28" inside, 38" outside dimensions.
- 6" slip channel.
- A cable with loop attaches container. Pin is inserted through cable loop and container.
- Note: Some compactor's that are self-contained need to have a double end hook-up. The back needs to look like the front (See attached drawing titled **Front View**).

If you have any questions regarding rates and compactor size specifications, please contact our office at (916) 355-8367 and select the commercial waste services option.

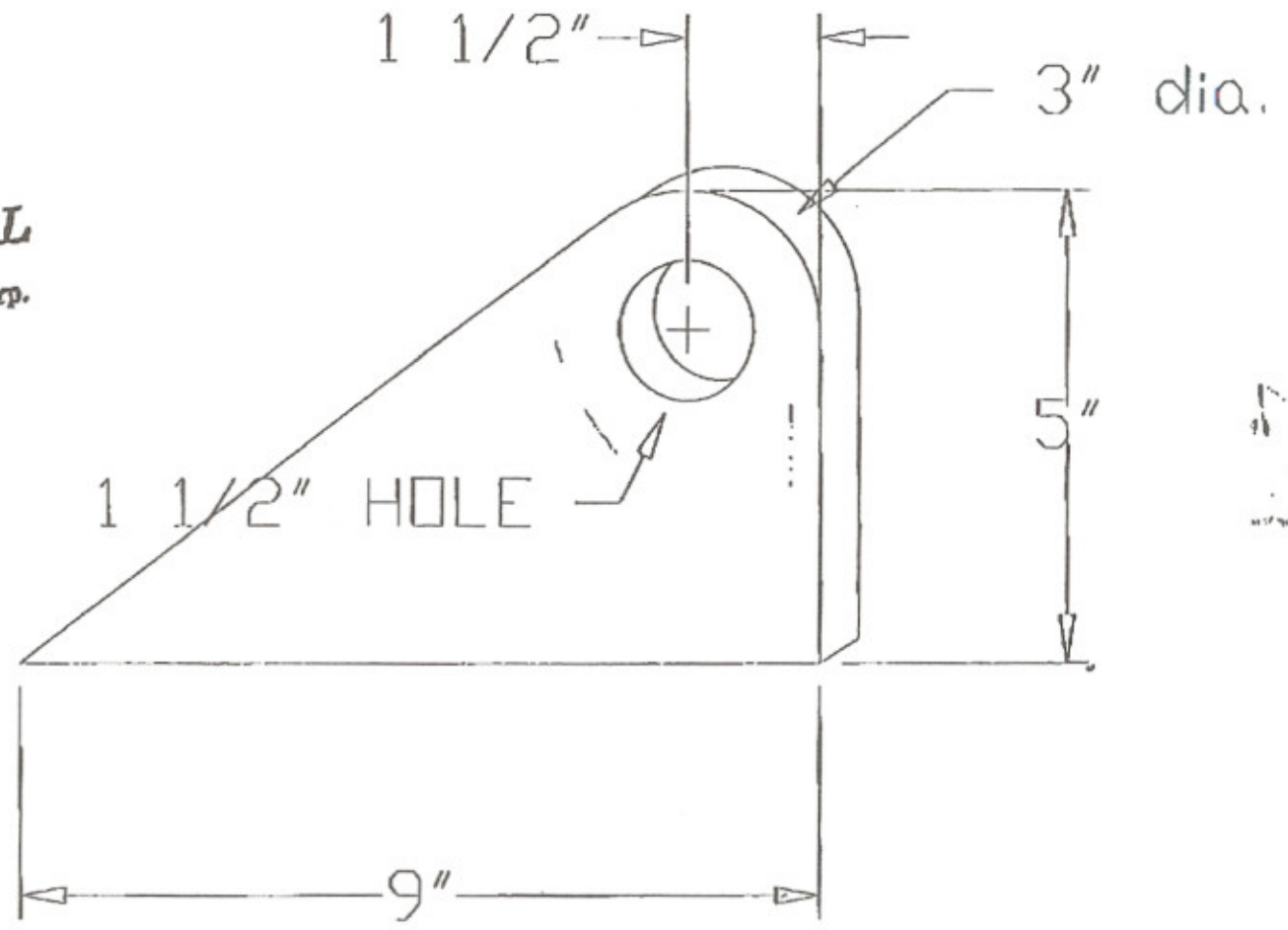
Attachments: (11 pages) Drawings of hook-up and main rail end plates, pictures of roll-off container hook-up, pictures and measurements of roll-off container.

Thank you.

P0057

LIFT PLATES
9" x 5"
1/2" PLATE

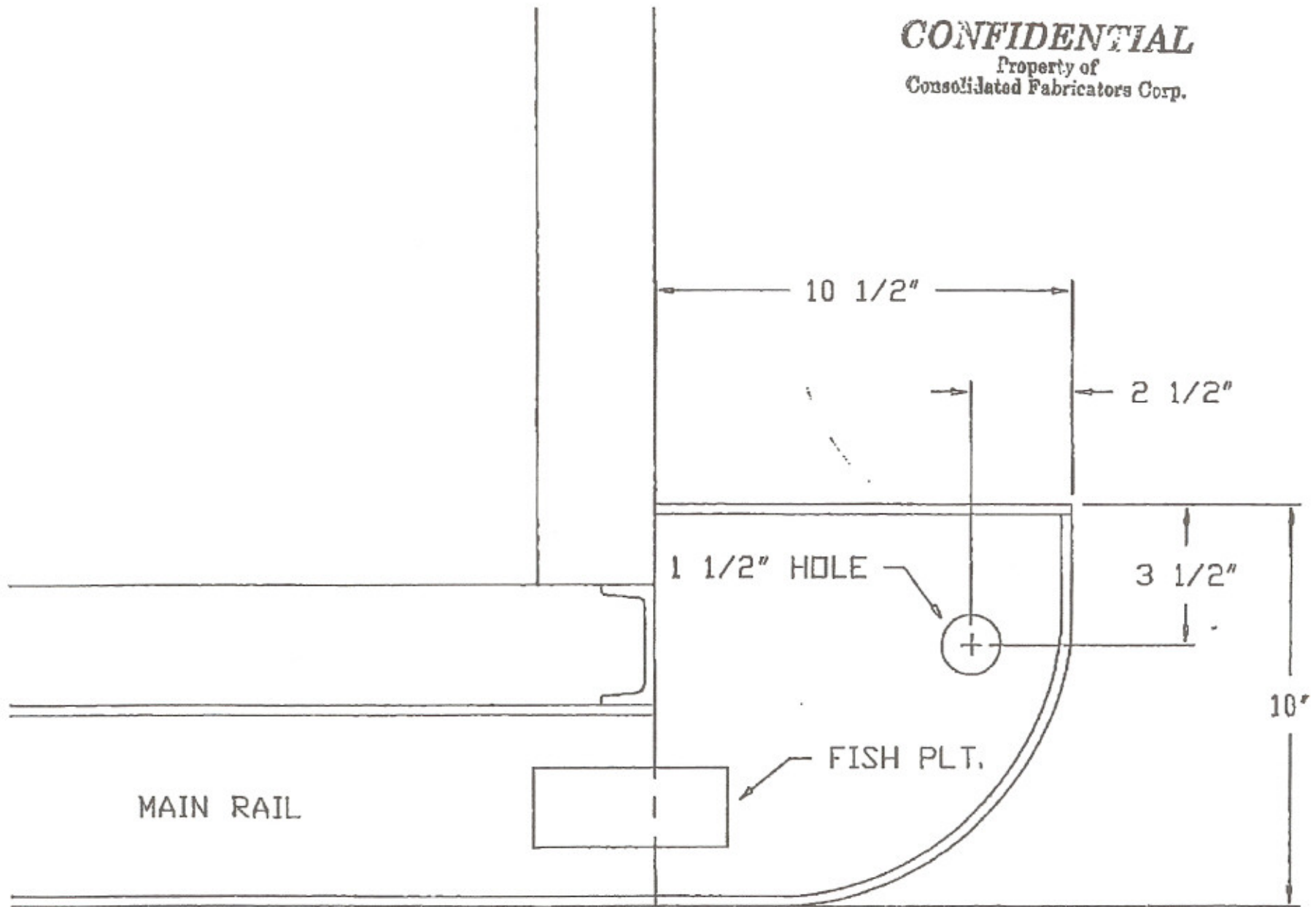
CONFIDENTIAL
Property of
Consolidated Fabricators Corp.



P0057

MAIN RAIL EXTENSION DETAIL
SIDE VIEW

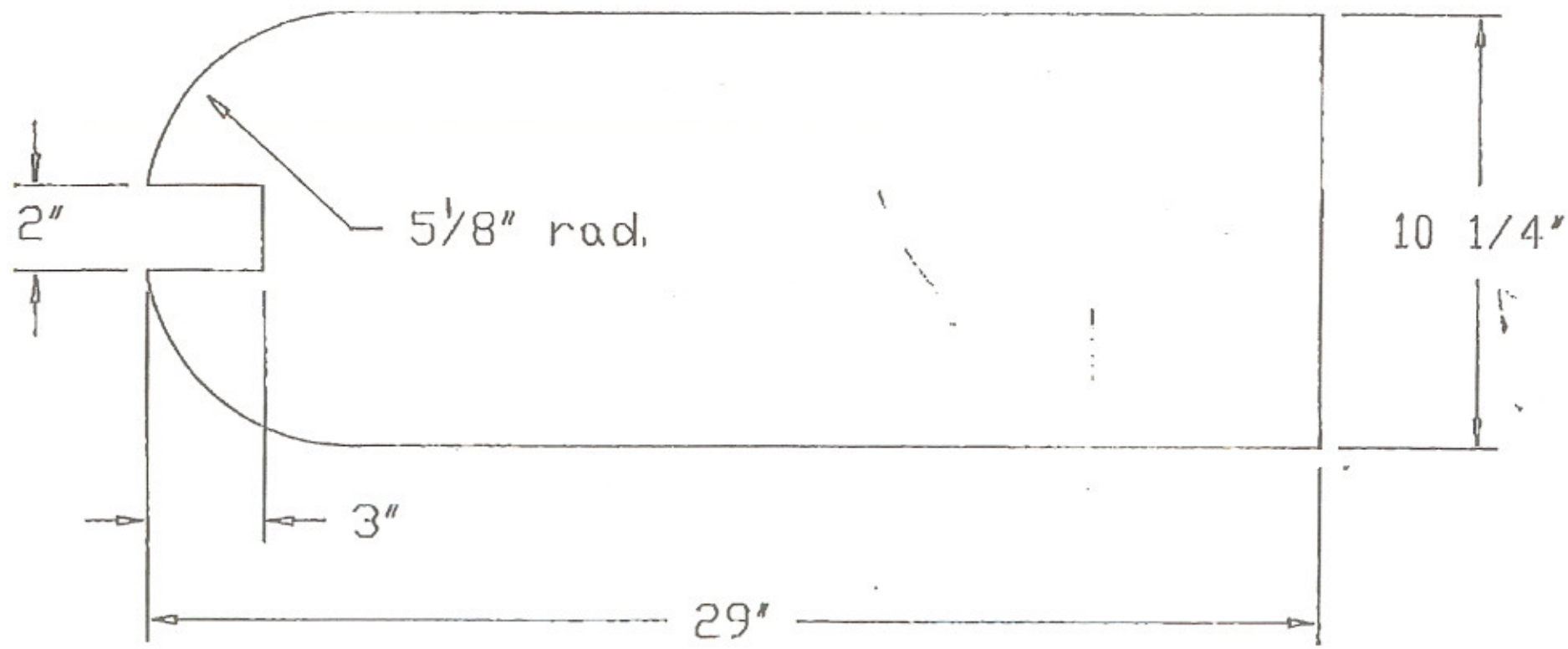
CONFIDENTIAL
Property of
Consolidated Fabricators Corp.



P0058

HOOK REINFORCEMENT
one pc 10 1/4" x 29"
3/8" PLATE

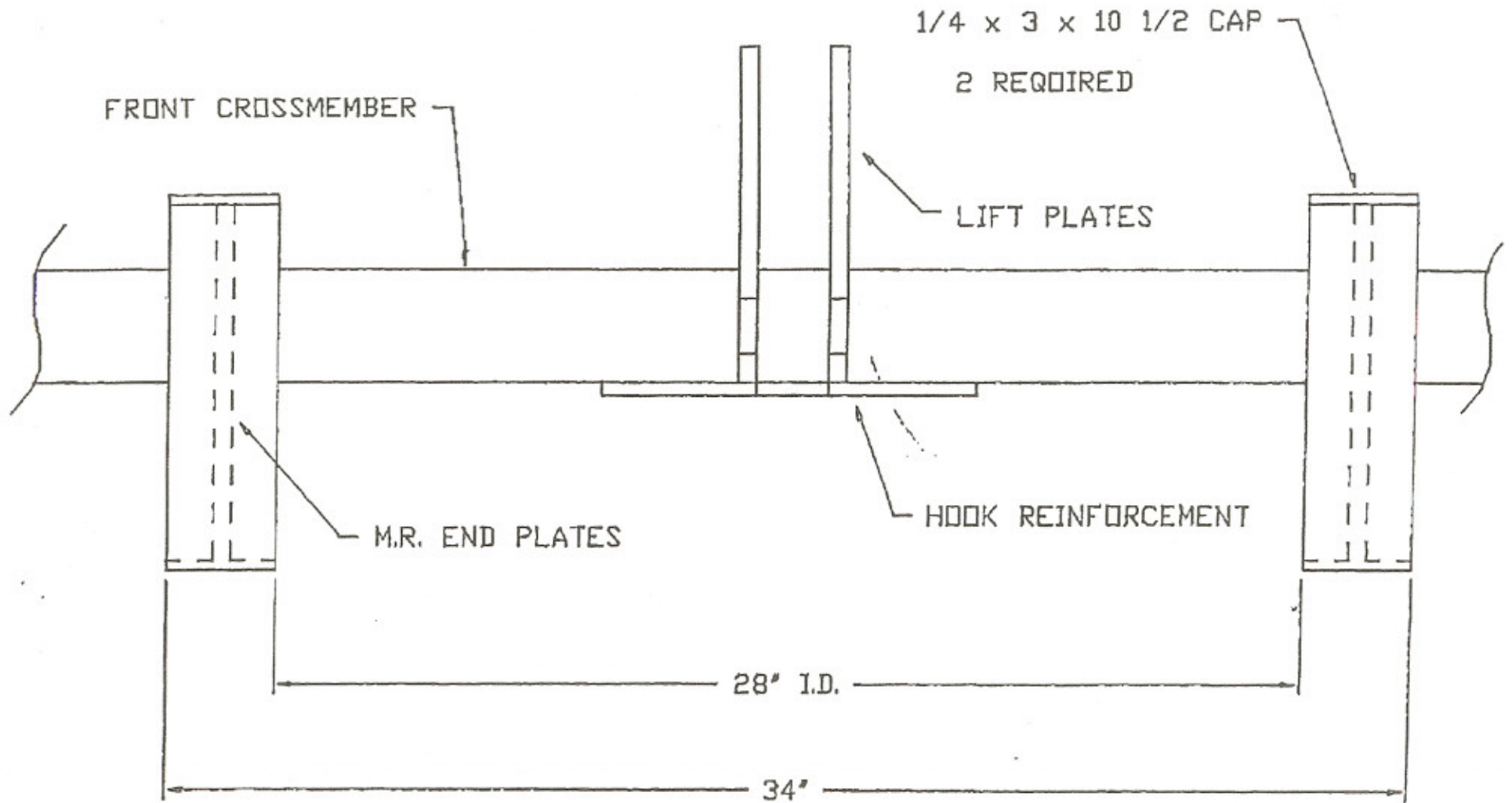
CONFIDENTIAL
Property of
Consolidated Fabricators Corp.



P0058

FRONT VIEW

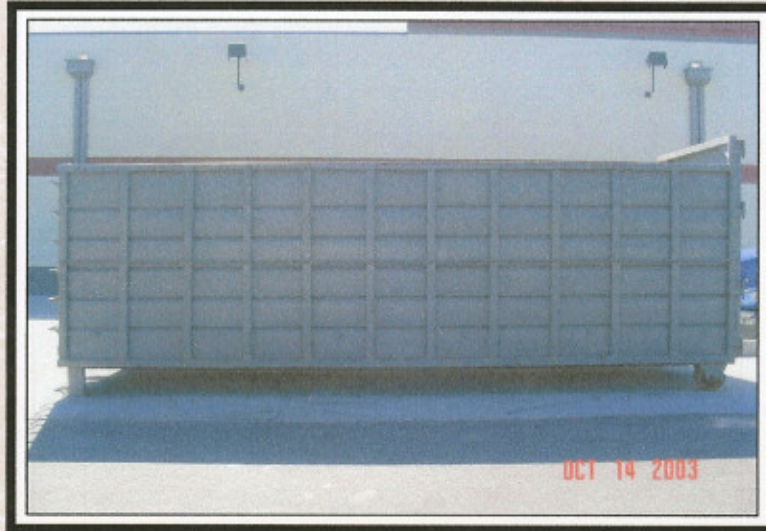
CONFIDENTIAL
Property of
Consolidated Fabricators Corp.



City of Folsom - Solid Waste Division
Roll-off Container Hook-up



**CITY OF FOLSOM
SOLID WASTE DIVISION**



Roll-off Guide Rails



CITY OF FOLSOM
SOLID WASTE DIVISION



32 1/2" on center

31" on center

32 1/2" on center

8'

CITY OF FOLSOM
SOLID WASTE DIVISION



2 1/4" GAP
for cable
END.

CITY OF FOLSOM
SOLID WASTE DIVISION

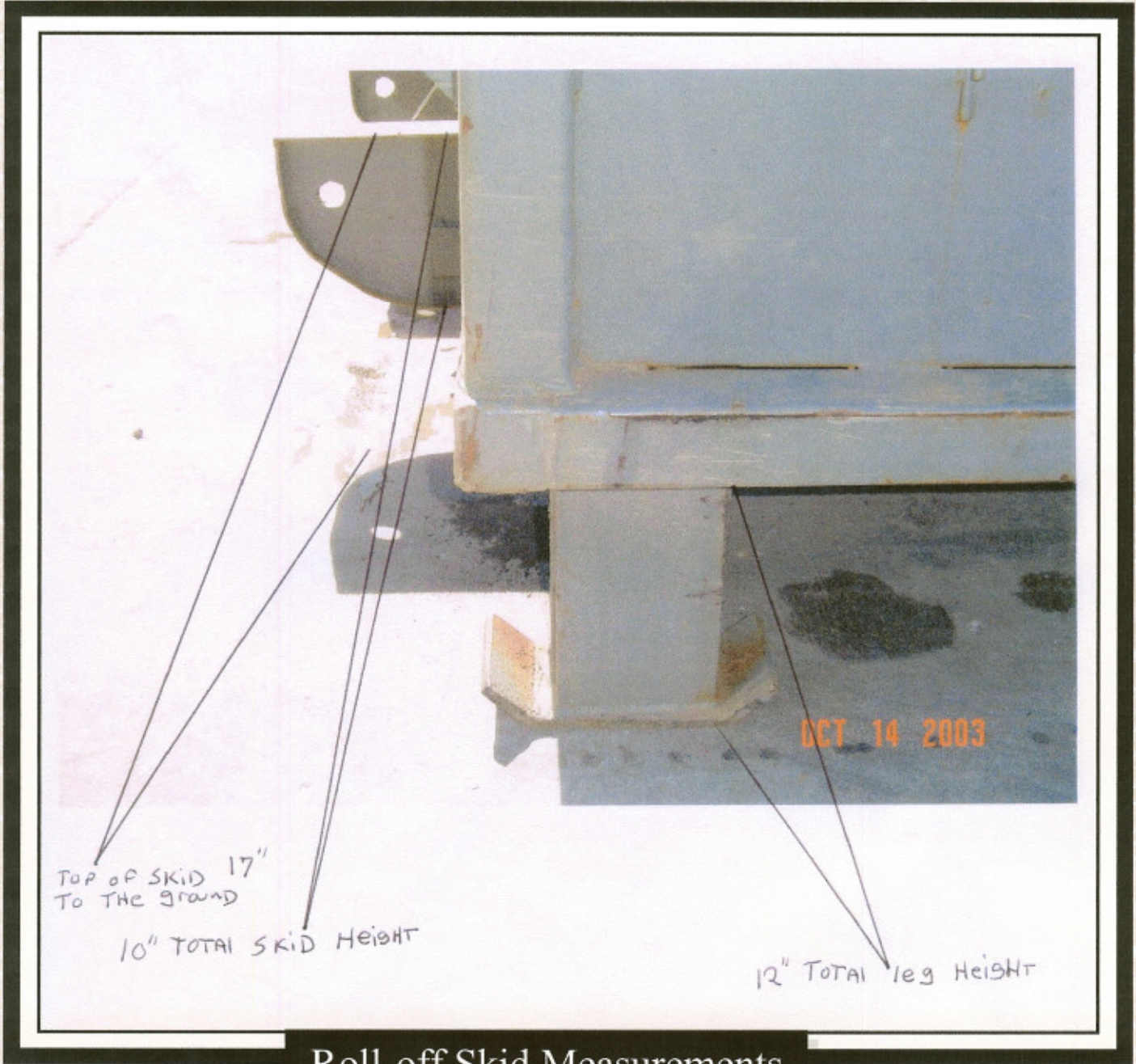


1 3/4"
Hole for
CABLE PIN

EXTENDS OUT 5" FROM
DUMPSTER FACE.

Hole Hook-up Measurements

CITY OF FOLSOM
SOLID WASTE DIVISION



Roll-off Skid Measurements

CITY OF FOLSOM
SOLID WASTE DIVISION



2 1/2" From END ON center. 1 3/4" Hole

Extends 10 1/2" From Dumpster face.

5" DISTANCE FROM TOP OF SKID TO BOTTOM OF DUMPSTER